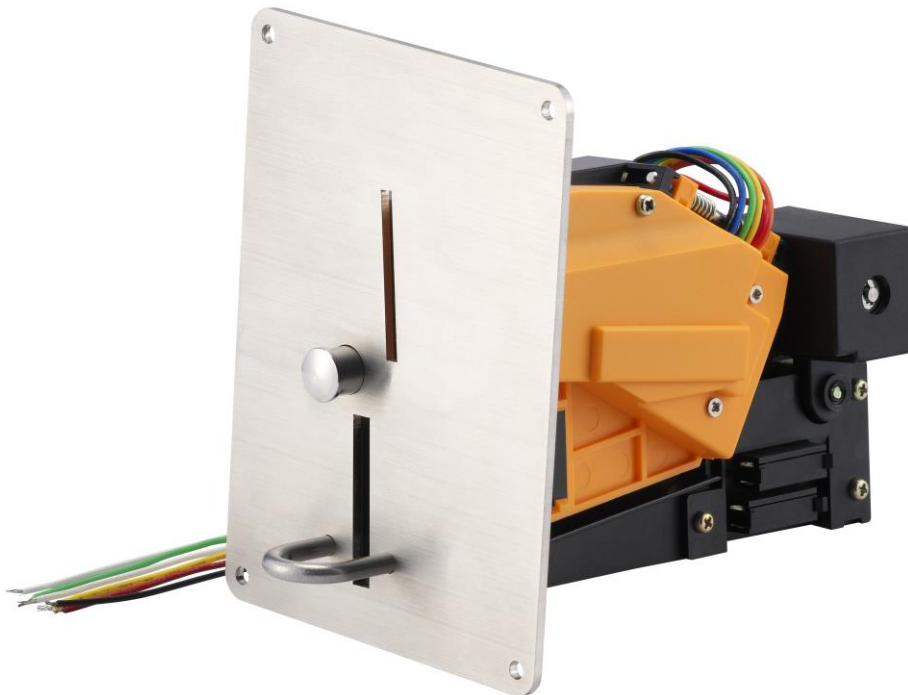


Coin Acceptor Series

HT-CM 903(Inhibited for washer)



HENTEL Telecommunication Co., Ltd.

Address: NO.6 ALLEY 19, LANE 49, KUO CHING ROAD, PAN-CHIAO DIST. NEW TAIPEI CITY, TAIWAN

TEL: +886-2-2962-3391

FAX: +886-2-2962-3857

Website: [http:// www.hentel.com.tw](http://www.hentel.com.tw)



1. Introduction

1 -1 Overview:

HT-CM903 have the function of validating any kinds of coins. It is applied for KIOSK, 24 HR mini shop, Bank, etc. It can accept 4 kinds of parameters at once.

1 -2 Features:

- ◆ Four coin channels available at once.
- ◆ Easy to installation and maintenance to save your time.
- ◆ Anti-string function.

1-3 Specification:

Electrical	
Power Source	9VAC-24VAC or 9VDC-24VDC
Power Source(For Inhibited)	5VDC-12VDC
Power Consumption – Standby	0.6W
Power Consumption – Max	8.4W
Interface	Pulse , RS232

2. Feature

HT-CM903 can accept four different values at the same time, and it is self-learning coin machine,if you are not satisfied with the accepting rate,there are two options methods to solve this problem.

First method is to return original setting. Second method is to set up by Yourself (inserting 20 times)

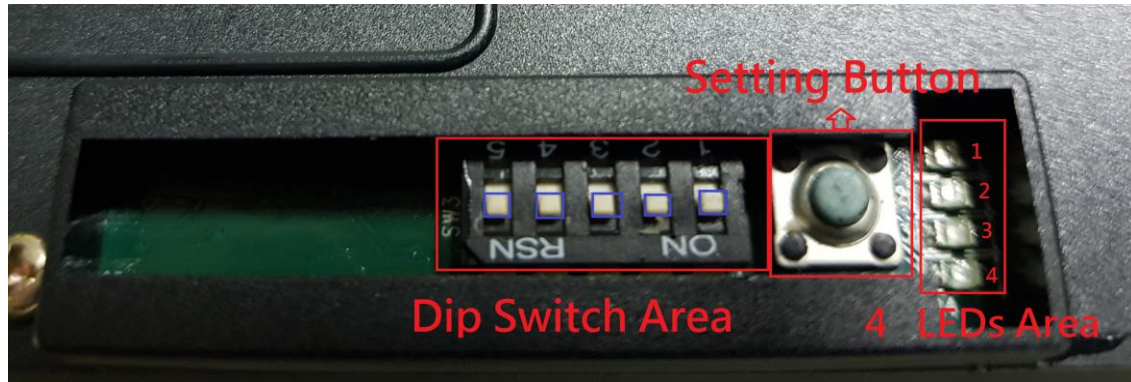
We recommend you to take **the first option** (returning to original setting),because the original setting is to collect big data of coin, accepting rate is more correct and specific than setting by yourself(inserting 20 times)



2-1 How to return the original setting

A) Turn off the power

B) Turn the dip switch as below picture(turn No.1-5 all to the down)



C) Connect to the power, then the LED will flashing, when flashing, then turn off the power.

D) Turn the dip switch as below (turn No.5 to the down, 1,2,3,4 to the up), then turn on the power, the original setting is finished .
So you can insert some coins to test its accepting rate.





*If you find that you can not turn the dip switch, you can use the tool like the below picture to help you easily turn the dip switch.



2-2 How to reset parameters by yourself ?

operation of setting Coin 1 (Channel 1)



Step 1 :

Press “ setting switch” once.

When you see **the first LED** lights up, that means it's ready to set THB 5 dollars.

Step 2 :

Insert one coin.

Then the first LED flash , it indicates that the coin you insert is setted

Step 3 :

Keep inserting coin for 19 times

Then 4 LEDs get a running flash, it indicates that **“THB 5 dollars”** is set completely.



Test it to make sure the coin is accepted or not. It's into cash box. That means it's setting successfully.

operation of setting coin 2 (channel 2)



Step 1 :

Press " setting switch" twice.

When you see the second LED lights up, that means it's ready to set "THB 10 dollars".

Other steps are same as "channel 1"

List for Channel & Pulse		
Channel	Amount	Pulse (Not be changed)
1	5 dollars	1 pulse
2	10 dollars	2 pulse

Reminder :

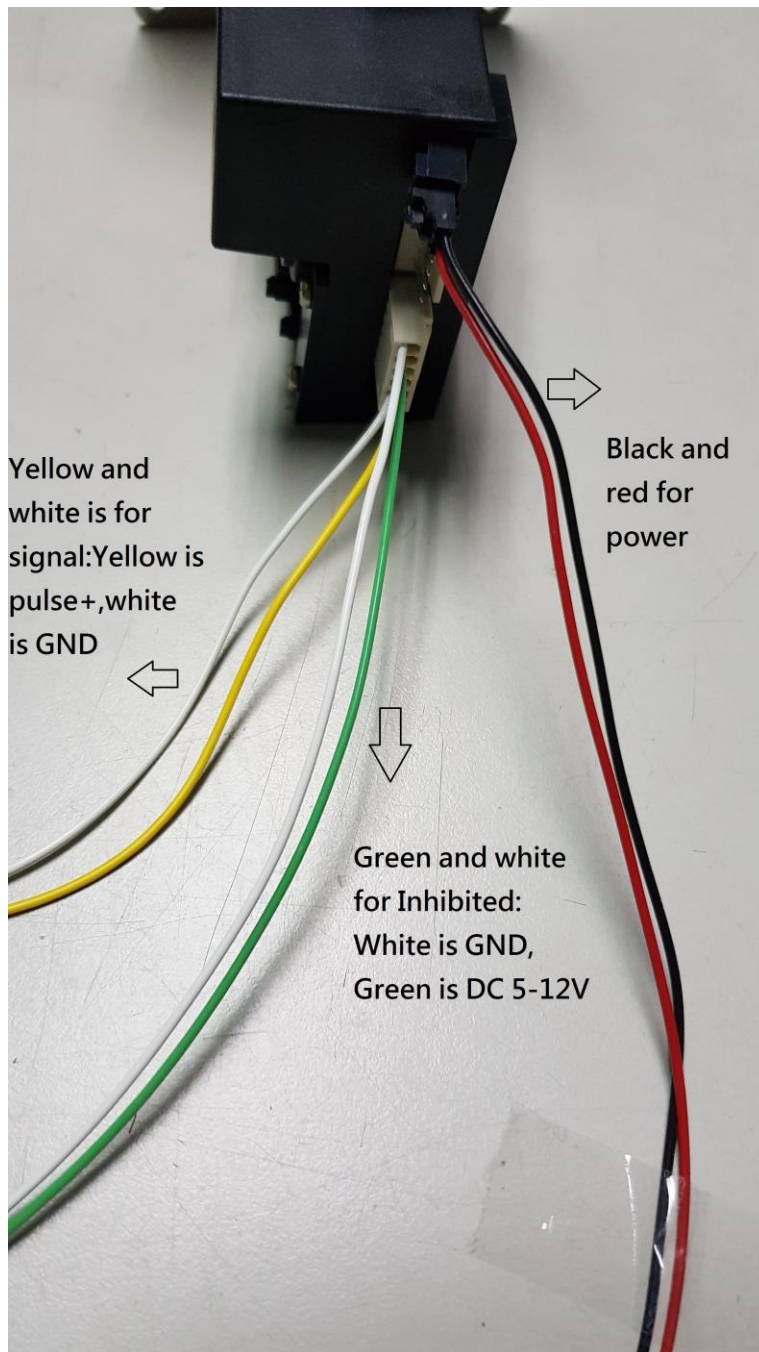
- When you are setting the coin , the coin will be out from refund slot. When finished , the coin will be into cash box. That mean's it's setting successfully.
- We suggest when you set each coin-value,,the best way is to prepare coins of different years,so our machine is more specific to learn its data.
- If you reset parameter of channel 1 , the previous parameter of channel 1 will be covered. Same situation are for channel 2 , channel 3 and channel 4.



2-3 How to delete the 4 parameters ?

If you want to delete these 4 parameters, you only press “setting switch” for 3~5 seconds. Then, you will see the 4 LEDs are glittering up and down. That means all the data are deleted.

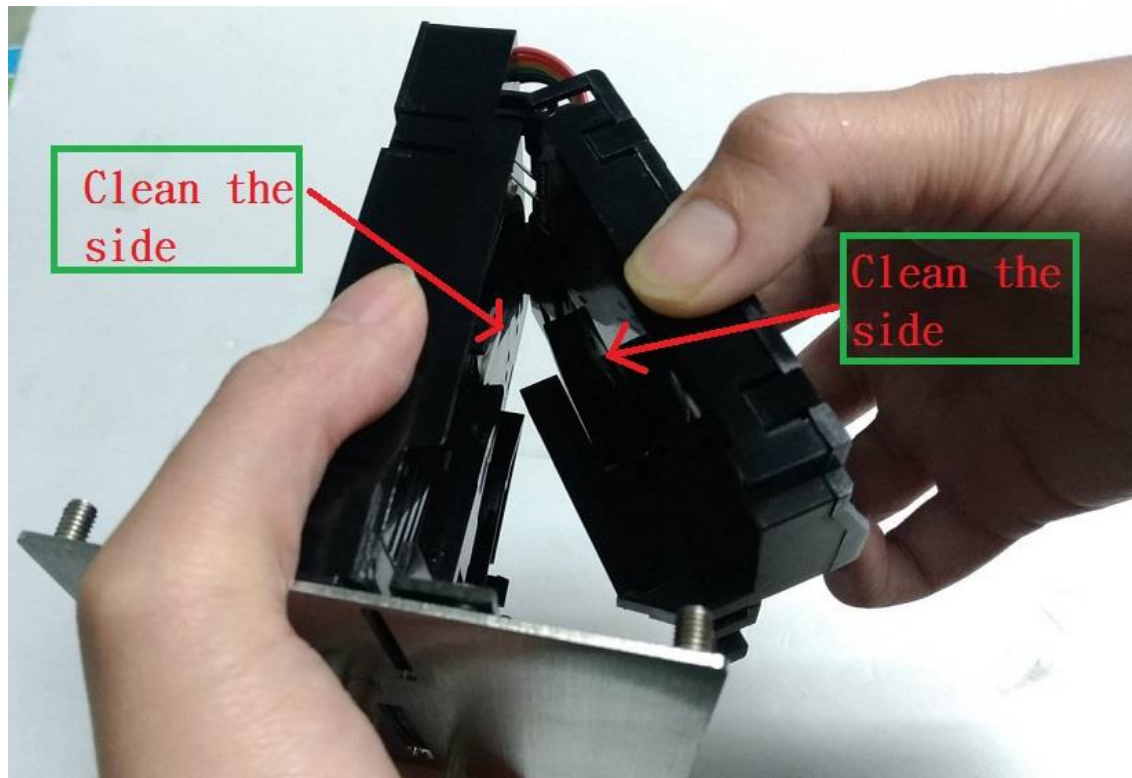
3 . Connector(For washer)





4.Clean and Maintenance

In order to let the coin machine has better accepting rate,we suggest that please regularly use dry towel or brush to clean the coin track of coin machine,like the below picture:



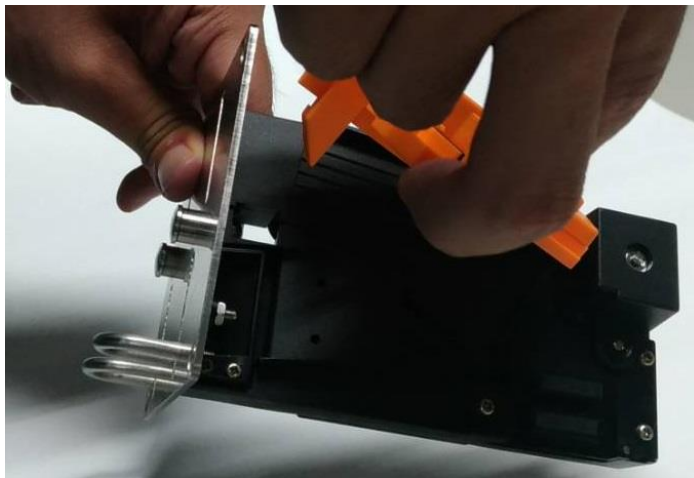


5. Trouble Shooting

5-1 Coin Jam

How to release a coin jam ?

- 1) Press the refund button to release the coins.
- 2) Open the two parts like the below picture and release the coins.



5-2 Coin Rejected

When coin acceptor rejected the coins, it may be three situations happened.

- 1) **Channel has cotton wadding and dust.**
- 2) **LED break down**
- 3) **Coil break**

Please refer to below suggestions to resolve above problems.

Step 1 : Please clean the channel regularly.

Step 2 : If step 1 is failure , please follow below steps to resolve the problem.



■ The first Solution :



Please insert the coin and see whether 4 LEDs flash . If 4 LEDs don't flash , you can refer to following steps :

Please refer to below steps to resolve above problems.

Step 1 : Please clean the channel regularly.

Step 2 : If step 1 is failure , please follow below steps to resolve the problem.

- 1) . First , you can refer to “ **2-1 How to return original setting** “ .
- 2) After operate “ How to return original setting “ and the result is failure . Then Operate “ **2-2 How to reset parameters by yourself** “ to reset coin parameters.

If the error can not be solved after corrective actions or happen again. Please contact HENTEL for technical support.

■ The Second Solution :

Please inset coin and see whether 4 LEDs flash. If any one of 4 LEDs flash, it means to break down. Please contact HENTEL to repair.



5-3 Coin acceptance rate is not enough good

When coin acceptance rate is not enough good ,it may be three situations happened.

- 1) **When coin Acceptor is stalled into washer or dryer , it may be angle slope of coin acceptor.**
- 2) **Coin attrition**
- 3) **Channel has cotton wadding or dust.**

Please refer to below steps to resolve above problems.

Step 1 : Please clean the channel regularly.

Step 2 : If step 1 is failure , please follow below steps to resolve the problem.

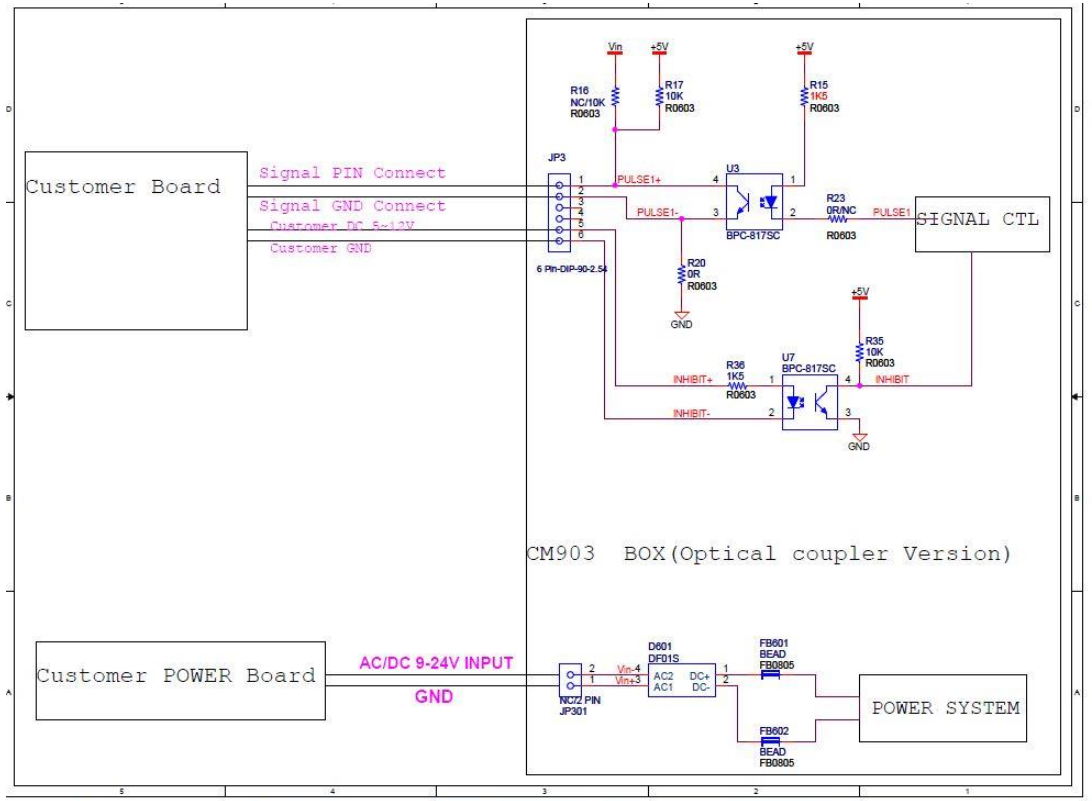
- 1) First , you can refer to “ **2-1 How to return original setting** “ .
- 2) After operate “ How to return original setting “ and the result is failure . Then Operate “ **2-2 How to reset parameters by yourself** “ to reset coin parameters.

If the error can not be solved after corrective actions or happen again. Please contact HENTEL for technical support.



6. Input / Output Circuits

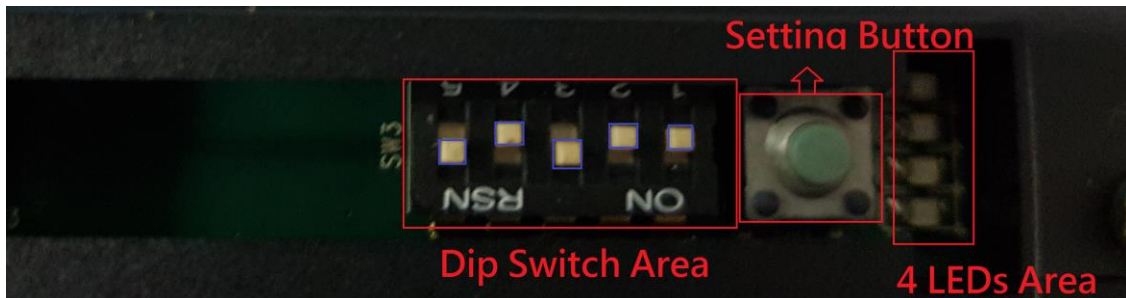
6-1 Inhibited



6-2 It can be transferred for Inhibited and Non-Inhibited.

1) Inhibited transfer to Non-Inhibited and please refer to below steps:

- A) Turn off the power
- B) Turn the dip switch as below picture (turn No.3,5 to the down, and 1,2,4 to the up)



C) Then turn on the power and it's all transferred completely.



2) Non- Inhibited transfer to Inhibited and please refer to below steps:

- A) Turn off the power
- B) Turn the dip switch as below picture(turn No.5 to the down,and 1,2,3,4 to the up)



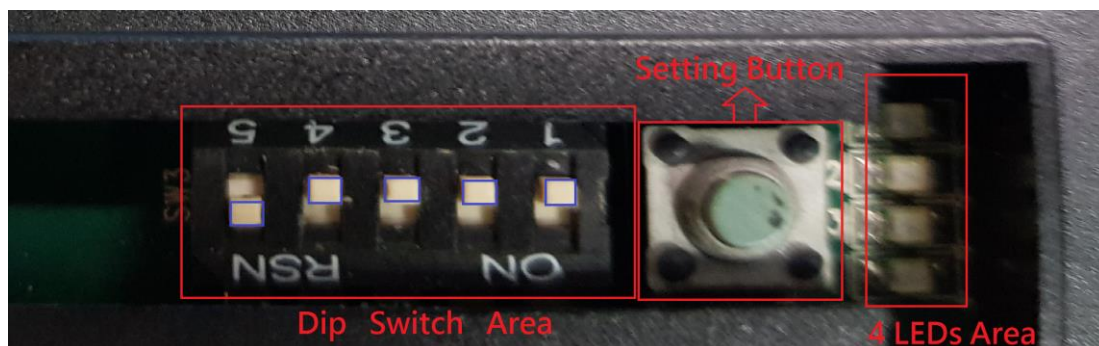
- C) Then turn on the power and it's all transferred completely.

***If your machine want to receive the money,your control board should turn on the function for giving our white and green wires of 5-12VDC signal of our coin drop;if your machine would not want customers to insert the coins,your control board should turn off the function not giving 5-12VDC signal(white and green wires)to our coin machine.**

7.How to change different Signal ms.

7-1 How to change to 100ms

- A) Turn off the power.
- B) Turn the dip switch to below picture(turn No.5 to the down,and 1,2,3,4 to the up)

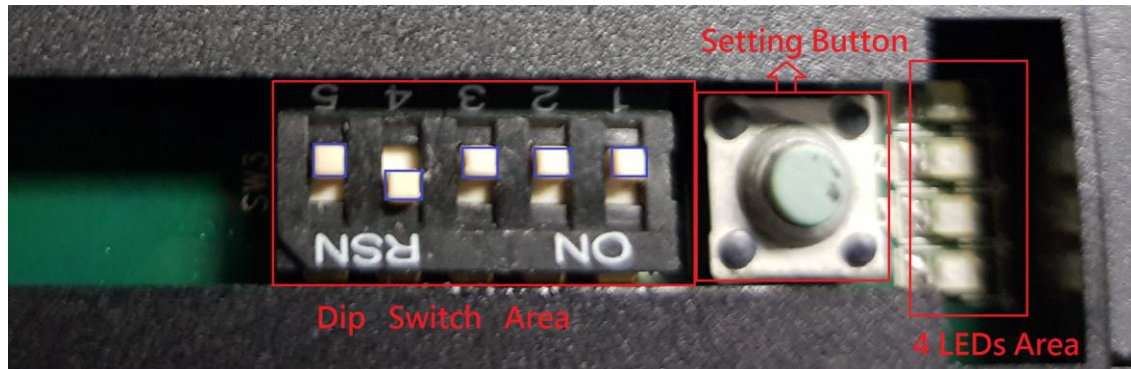


- C) Then turn on the power and it's all transferred completely.



7-2 How to change to 50ms

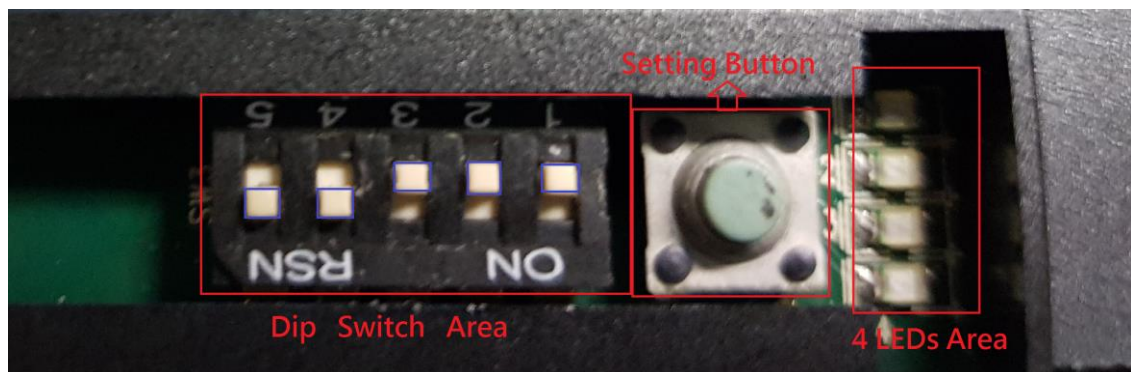
- A) Turn off the power.
- B) Turn the dip switch to below picture (turn No.4 to the down, and 1,2,3,5 to the up)



- C) Then turn on the power and it's all transferred completely.

7-3 How to change to 35ms

- A) Turn off the power.
- B) Turn the dip switch to below picture (turn No.4,5 to the down, and 1,2,3 to the up)



- C) Then turn on the power and it's all transferred completely.